

**FAUQUIER COUNTY WATER AND SANITATION AUTHORITY**  
7172 KENNEDY ROAD • WARRENTON, VA 20187  
PHONE (540) 349-2092 • FAX (540) 347-7689  
www.fcwsa.org



## HYDRANT METER PERMIT REQUEST

Application Date: \_\_\_\_\_  
Applicant: \_\_\_\_\_  
Billing Address: \_\_\_\_\_  
\_\_\_\_\_

Work/Daytime Phone: \_\_\_\_\_  
Home/Evening Phone: \_\_\_\_\_  
Email: \_\_\_\_\_  
Hydrant Number(s) to Be Use: \_\_\_\_\_  
Specific Purpose of Use: \_\_\_\_\_

Check One:

I agree to have FCWSA install hydrant meter at above location. I understand installation will be completed when freezing temperatures are not present for a three-day window.

I wish to install hydrant meter at above location(s). I agree to follow installation and operation procedures according to Fauquier County Water and Sanitation Authority Construction Detail WM-05, Temporary Hydrant Meter Assembly.

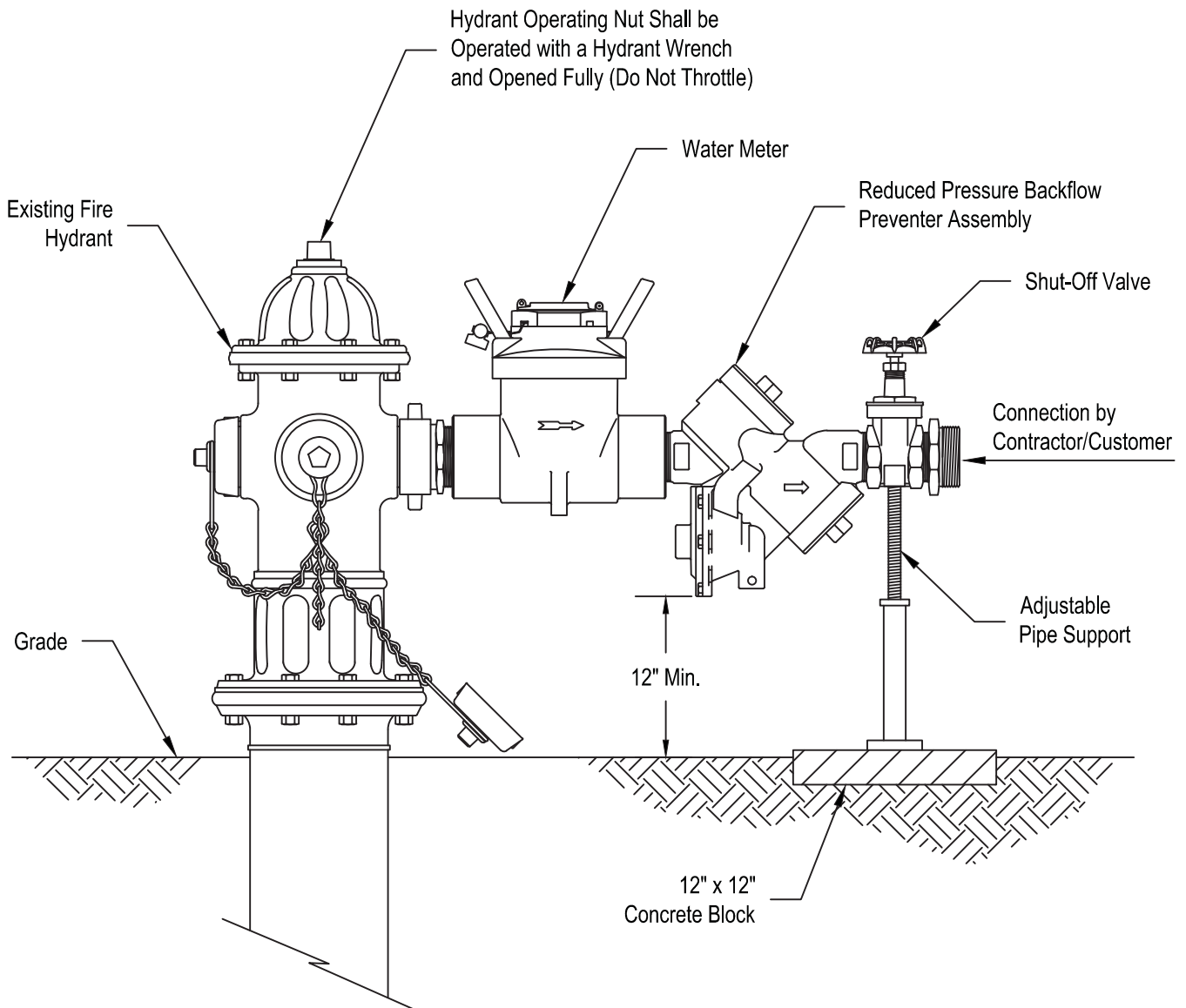
Applicant has read and agrees to the Hydrant Meter Policy and all terms and conditions of the permit. Violation of the Policy or any specified or implied condition constitutes grounds for immediate revocation of the permit and equipment. Applicant agrees to report monthly readings to the Fauquier County Water and Sanitation Authority. Applicant agrees to relinquish the meter to Fauquier County Water and Sanitation Authority at any time.

\_\_\_\_\_  
Applicant Signature                      Date

---

To be completed by FCWSA – Do not write under this line

Permit Number: \_\_\_\_\_  
Deposit Received: \_\_\_\_\_  
Inspection Fee Received: \_\_\_\_\_  
Meter Number Issued: \_\_\_\_\_  
Reading of Meter When Issued: \_\_\_\_\_



Notes:

1. Fire hydrant water use shall be permitted on a temporary basis where a permanent water connection is not available, subject to the terms and conditions established in Volume 2, Part A, Section 5.5 of the Authority's Operating Code.
2. Start with hydrant and shut-off valve closed. Slowly open the hydrant until the backflow preventer is completely pressurized. After the device has been pressurized, vent all trapped air from both check valves by slightly opening each of the four test cocks. Slowly open the downstream shut-off valve. The hydrant meter assembly is now in service. **Do not close valves on the assembly or discharge line quickly.**
3. Contractor/Customer shall protect the hydrant meter assembly from damage, theft, and misuse.
4. Contractor/Customer is held responsible for any damage to the fire hydrant and infrastructure due to improper use.
5. Broken or damaged hydrant meter assemblies must be reported to the Authority immediately.
6. Contractor/Customer is responsible for any and all water consumption.

WM-05



Fauquier County  
Water and Sanitation Authority

## Temporary Hydrant Meter Assembly

Not to Scale

Revised: 11/28/17